



Compressor Selection: Semi-hermetic Reciprocating Compressors

Input Values

Compressor model Mode	(4EC-6.2Y) Refrigeration and Air conditioning	Suction gas temperature Operating mode	20,00 °C Auto
Refrigerant Reference temperature Liq. subc. (in condenser)	R404A Dew point temp. 0 K	Power supply Capacity Control Useful superheat	400V-3-50Hz 100% 100%

Result

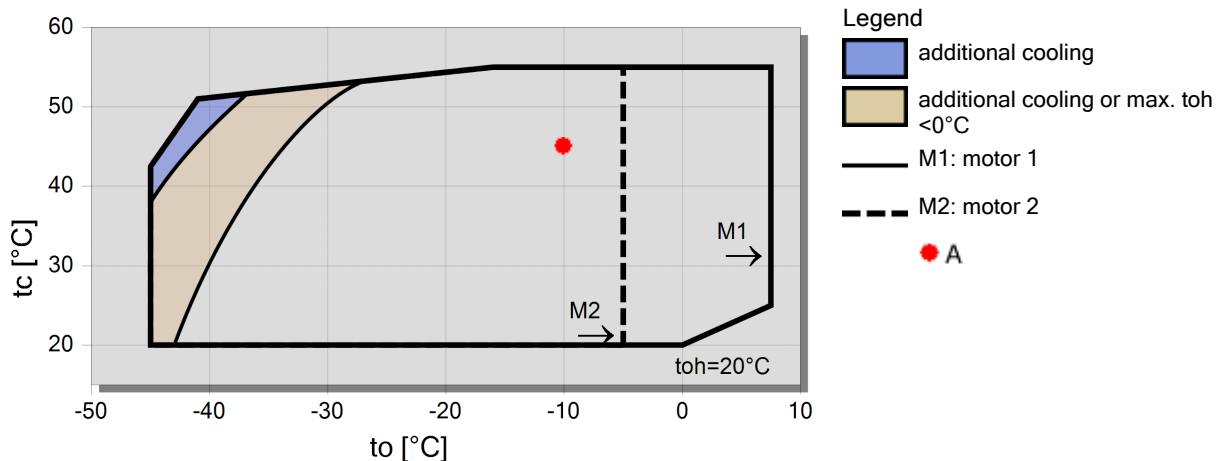
Q [W]	Cooling capacity	COP [-]	COP/EER
Q* [W]	Cooling capacity *	COP* [-]	COP/EER *
P [kW]	Power input	m [kg/h]	Mass flow
I [A]	Current	Op.	Operating mode
Qc [W]	Condenser Capacity	th [°C]	Discharge gas temp. w/o cooling

tc	to	0°C	-10°C	-20°C	-30°C	-40°C	-50°C	-60°C	-70°C
30°C	Q [W]	21127	14497	9526	5858	3211	--	--	--
	Q* [W]	21127	14497	9526	5858	3211	--	--	--
	P [kW]	4,73	4,43	3,85	3,08	2,21	--	--	--
	I [A]	8,52	8,11	7,35	6,44	5,57	--	--	--
	Qc [W]	25857	18924	13376	8941	5420	--	--	--
	COP [-]	4,47	3,27	2,47	1,90	1,45	--	--	--
	COP* [-]	4,47	3,27	2,47	1,90	1,45	--	--	--
	m [kg/h]	537	361	233	141,9	77,2	--	--	--
	Op.	Standard	Standard	Standard	Standard	Standard	--	--	--
	th [°C]	63,2	77,4	93,4	112,2	135,8	--	--	--
40°C	Q [W]	17775	12120	7859	4704	2423	--	--	--
	Q* [W]	17775	12120	7859	4704	2423	--	--	--
	P [kW]	5,62	5,01	4,17	3,17	2,12	--	--	--
	I [A]	9,78	8,91	7,76	6,54	5,50	--	--	--
	Qc [W]	23392	17128	12025	7878	4540	--	--	--
	COP [-]	3,16	2,42	1,89	1,48	1,14	--	--	--
	COP* [-]	3,16	2,42	1,89	1,48	1,14	--	--	--
	m [kg/h]	510	339	216	127,9	65,3	--	--	--
	Op.	Standard	Standard	Standard	Standard	Standard	--	--	--
	th [°C]	75,1	89,6	106,0	125,3	0	--	--	--
50°C	Q [W]	14492	9793	6238	3604	1709	--	--	--
	Q* [W]	14492	9793	6238	3604	1709	--	--	--
	P [kW]	6,37	5,47	4,38	3,19	1,97	--	--	--
	I [A]	10,89	9,57	8,05	6,56	5,38	--	--	--
	Qc [W]	20861	15266	10621	6791	3677	--	--	--
	COP [-]	2,28	1,79	1,42	1,13	0,87	--	--	--
	COP* [-]	2,28	1,79	1,42	1,13	0,87	--	--	--
	m [kg/h]	483	317	198,0	112,8	52,9	--	--	--
	Op.	Standard	Standard	Standard	Standard	Standard	--	--	--
	th [°C]	87,1	102,0	118,9	139,4	0	--	--	--

-- No calculation possible (see message in single point selection)

*According to EN12900 (20°C suction gas temp., 0K liquid subcooling)

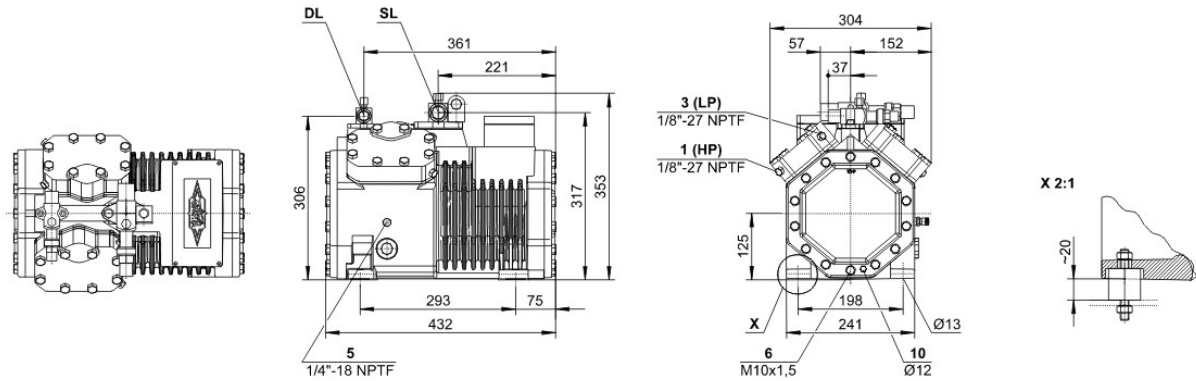
Application Limits 100% Octagon





Technical Data: (4EC-6.2Y)

Dimensions and Connections



Technical Data

Technical Data

Displacement (1450 RPM 50Hz)	22,72 m ³ /h
Displacement (1750 RPM 60Hz)	27,42 m ³ /h
No. of cylinder x bore x stroke	4 x 46 mm x 39,3 mm
Weight	86 kg
Max. pressure (LP/HP)	19 / 28 bar
Connection suction line	28 mm - 1 1/8"
Connection discharge line	16 mm - 5/8"
Oil type R134a/R407C/R404A/R507A/R407A/R407F	tc<55°C: BSE32 / tc>55°C: BSE55 (Option)
Oil type R22 (R12/R502)	B5.2 (Standard)
Oil type R290/R1270	SHC226E (Standard)

Motor data

Motor voltage (more on request)	380-420V Y-3-50Hz
Max operating current	13.2 A
Starting current (Rotor locked)	62.2 A
Max. Power input	7,9 kW

Extent of delivery (Standard)

Motor protection	SE-B1
Enclosure class	IP65
Vibration dampers	Standard
Oil charge	2,00 dm ³

Available Options

Discharge gas temperature sensor	Option
Start unloading	Option
Capacity control	100-50% (Option)
Additional fan	Option
Crankcase heater	0..120 W PTC (Option)
Oil level monitoring	OLC-K1 (Option, not for R290/R1270)

Sound measurement

Sound power level (+5°C / 50°C)	68,5 dB(A) @ 50Hz
Sound power level (-10°C / 45°C)	70,0 dB(A) @ 50Hz
Sound power level (-35°C / 40°C)	(72,0) dB(A) @ 50Hz
Sound pressure level @ 1m (+5°C / 50°C)	60,5 dB(A) @ 50Hz
Sound pressure level @ 1m (-10°C / 45°C)	62,0 dB(A) @ 50Hz
Sound pressure level @ 1m (-35°C / 40°C)	(64,0) dB(A) @ 50Hz