

CONDENSER FAN SPEED CONTROLLERS

Type RGE

SAGInoMIYA

GENERAL DESCRIPTION

- The most suitable for controlling the speed of a condenser fan of freezing and refrigeration condensing unit, package air conditioner and other units which are operated throughout a year.
- Keep condensing pressure constant in winter and intermediate seasons for stable operation.
- One of the following operation models is selectable when low speed.
 - Minimum Speed Operation
 - Cut off Operation
- Excellent noise-resisting design.
- Applicable to the external forced operation switch.

CE mark applicable

UL listed (available upon request)



Single-phase type



Three-phase type

SPECIFICATIONS

- Max. working pressure: 4.7MPa
- Control method: Phase control
- Enclosure: IP54

TYPE NUMBER SELECTION

Catalog No.	*1 F.V.S. Setting (MPa)			*2 E.P.B. (MPa)	Refrigerants	Electrical Ratings	Function	Ambient Temp. (°C)	Operation	Wt. (kg)						
	Factory Set	Adjusting Range														
		Min.	Max.			Ampere										
RGE-Z1L4-7	1.9	0.8	2.8	Fixed 0.6	R22, R404A, R407C	Single phase 200 to 240V. AC 50/60Hz	0.2 to 3A	At approx. 45% (50Hz) at approx. 35% (60Hz) Cut Off or Minimum Speed function is selectable with changeover switch. Default setting: Cut Off	-20 to 55	①	0.36					
RGE-Z1L6-7	3.2	1.6	3.9	Fixed 0.9	R410A		0.2 to 4A									
RGE-Z1N4-7	1.9	0.8	2.8	Fixed 0.4	R22, R404A, R407C		0.2 to 6A									
RGE-Z1N6-7	3.2	1.6	3.9	Fixed 0.8	R410A		0.2 to 8A									
RGE-Z1P4-7	1.9	0.8	2.8	Fixed 0.4	R22, R404A, R407C											
RGE-Z1P6-7	3.2	1.6	3.9	Fixed 0.8	R410A											
RGE-Z1Q4-7	1.9	0.8	2.8	Fixed 0.4	R22, R404A, R407C											
RGE-Z1Q6-7	3.2	1.6	3.9	Fixed 0.8	R410A											
RGE-Z3R4-7	1.6	0.8	2.8	Fixed 0.4	R22, R404A, R407C		Three phase 200 to 240V. AC 50/60Hz					0.2 to 5A	At approximately 35%, Cut Off or Minimum Speed function is selectable with changeover switch. Default setting: Min. Speed	-20 to 50	②	1.4
RGE-Z3R6-7	3.2	1.6	3.9	Fixed 0.8	R410A							0.2 to 7A				
RGE-Z3T4-7	1.6	0.8	2.8	Fixed 0.6	R22, R404A, R407C											
RGE-Z3T6-7	3.2	1.6	3.9	Fixed 0.8	R410A											
RGE-X3R4-7	1.6	0.8	2.8	Fixed 0.4	R22, R404A, R407C	Three phase 380 to 415V. AC 50/60Hz	0.2 to 5A		-15 to 50		1.4					
RGE-X3R6-7	3.2	1.6	3.9	Fixed 0.8	R410A											

* 1: The pressure at which the control delivers 95% output effective voltage (VRMS).

* 2: Pressure width where effective voltage corresponds to the minimum speed or causes cut off operation

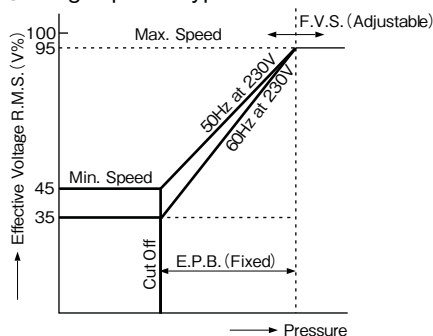
• Min. speed: Fan motor will be kept running at the specific value (V%) when pressure band increase more than E.P.B.

• Cut off: Fan motor will be stopped when pressure decrease to the specific value (V%) for R.M.S.

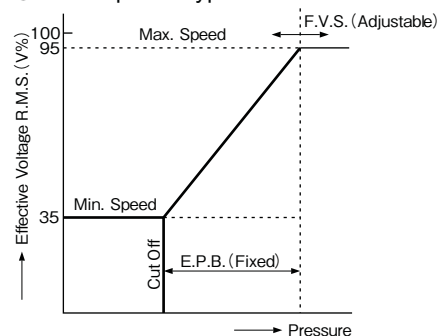
• For other pressure set values or min. speed/cut off set values, please contact us.

OPERATION

① Single-phase type



② Three-phase type

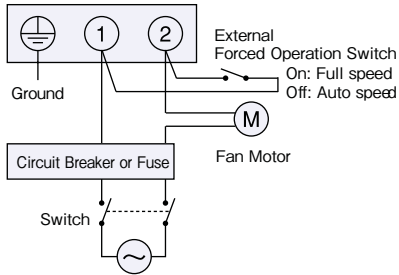


The operating characteristic may vary according to the voltage, frequency, and fan motor characteristics.

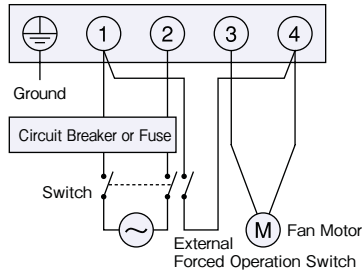
WIRING

Single-phase type

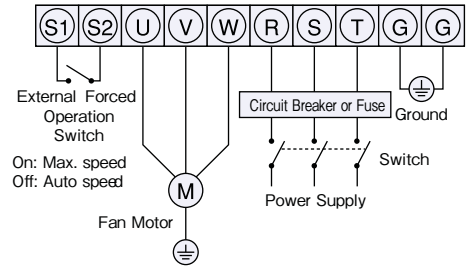
for 2A (RGE-Z1)



for 4A, 6A, 8A (RGE-Z1)



Three-phase type

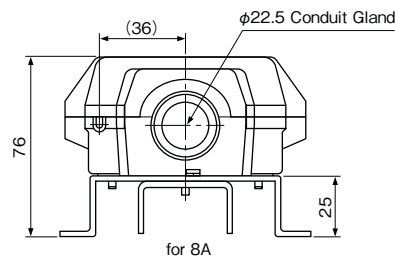
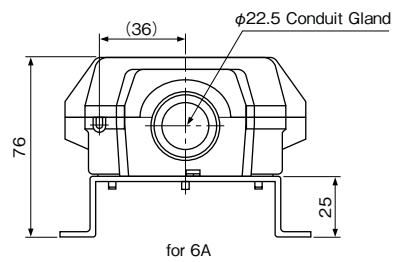
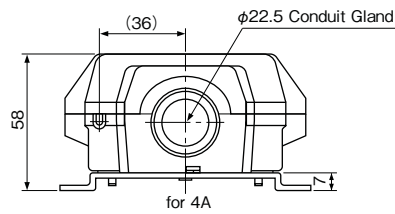
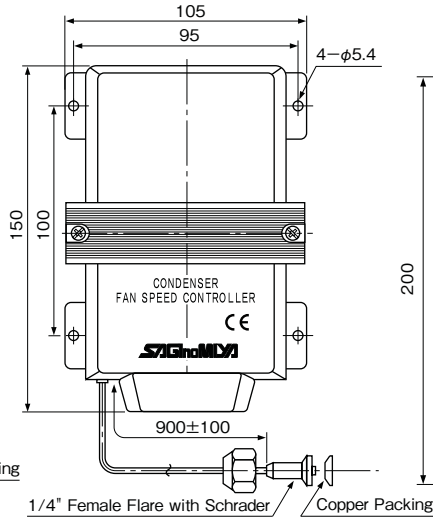
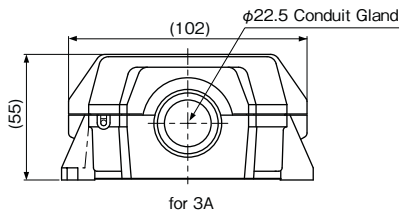
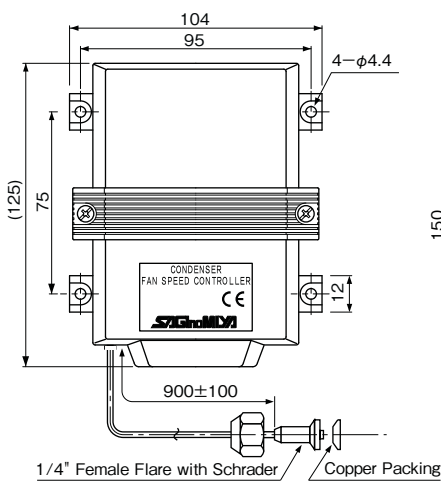


Apply external forced operation switches that afford to cut consumption current of fan motors.

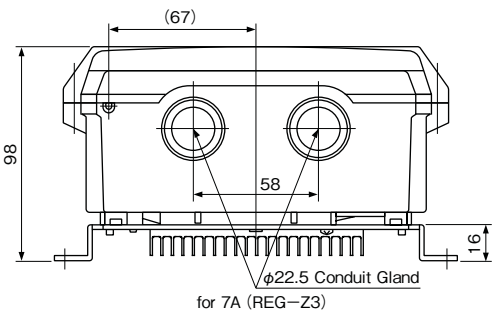
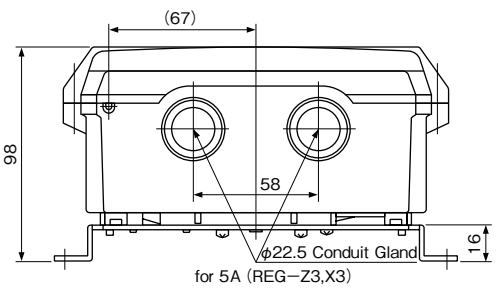
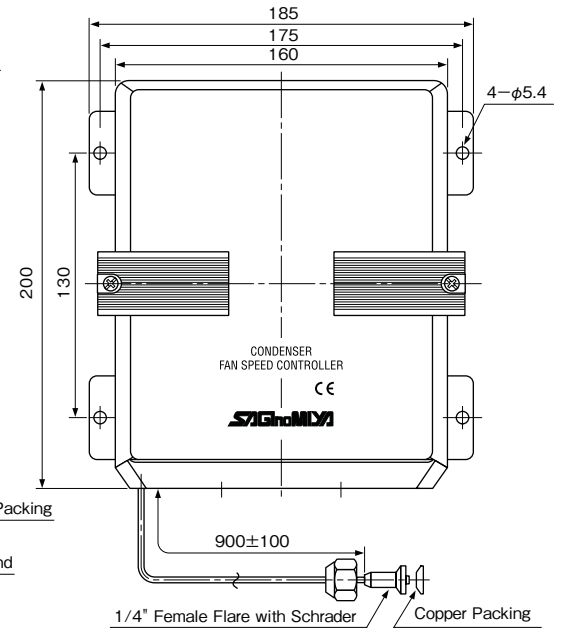
Use a forced operation switch with non-voltage contact signal.

DIMENSIONS

Single-phase type



Three-phase type



Unit: mm